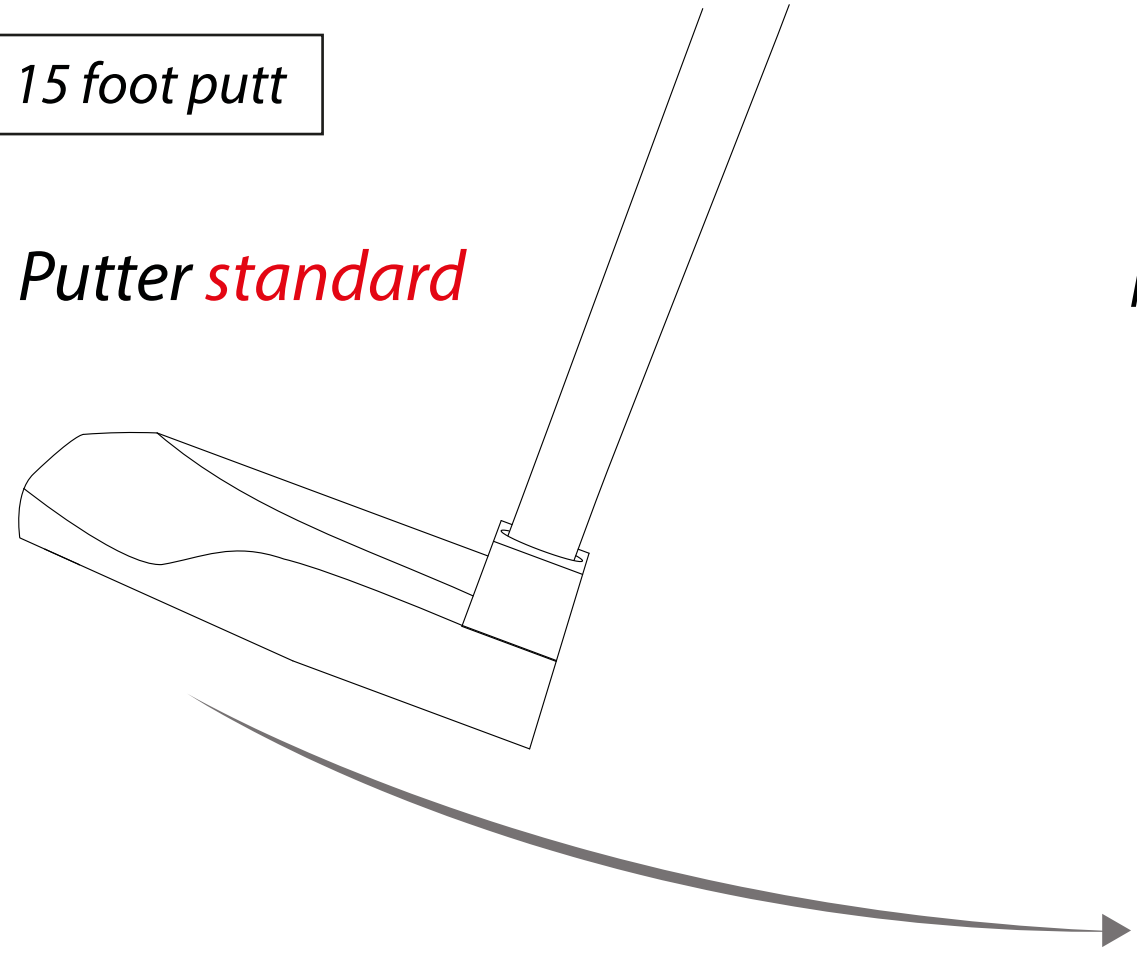
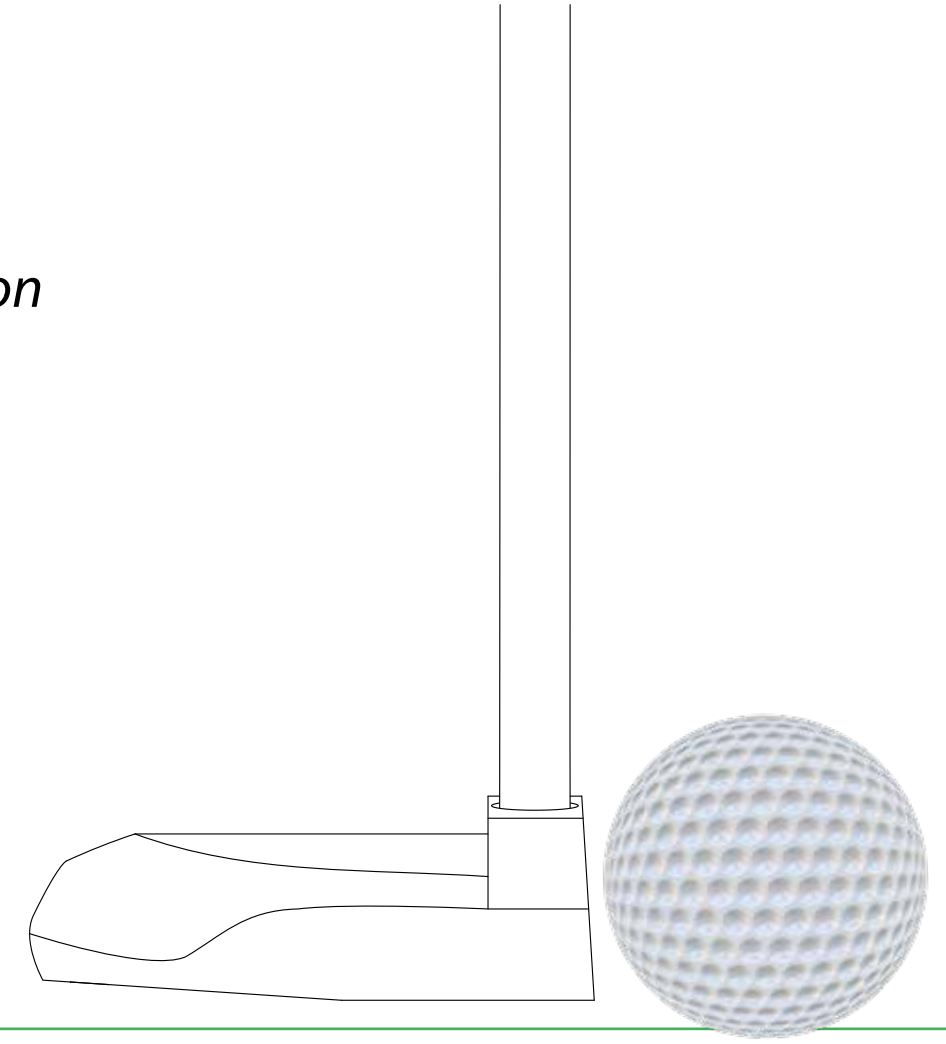


15 foot putt

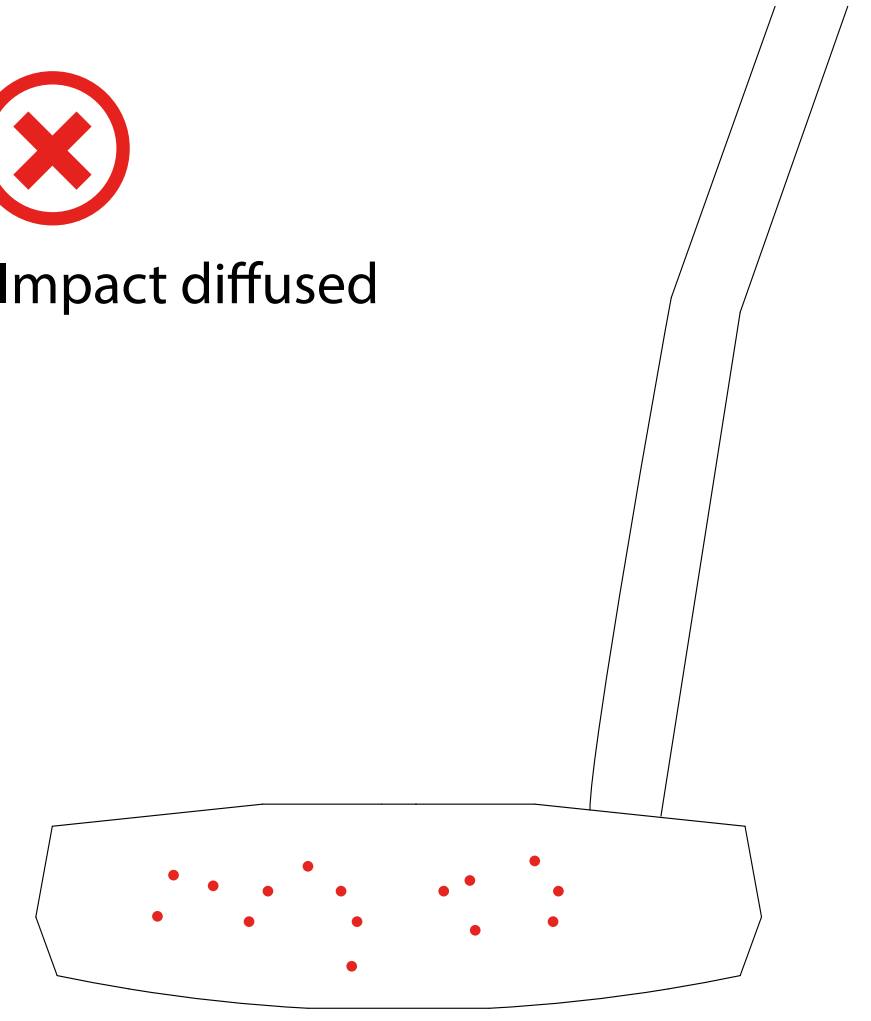
Putter *standard*



Range of motion
 $\sim 27^\circ$

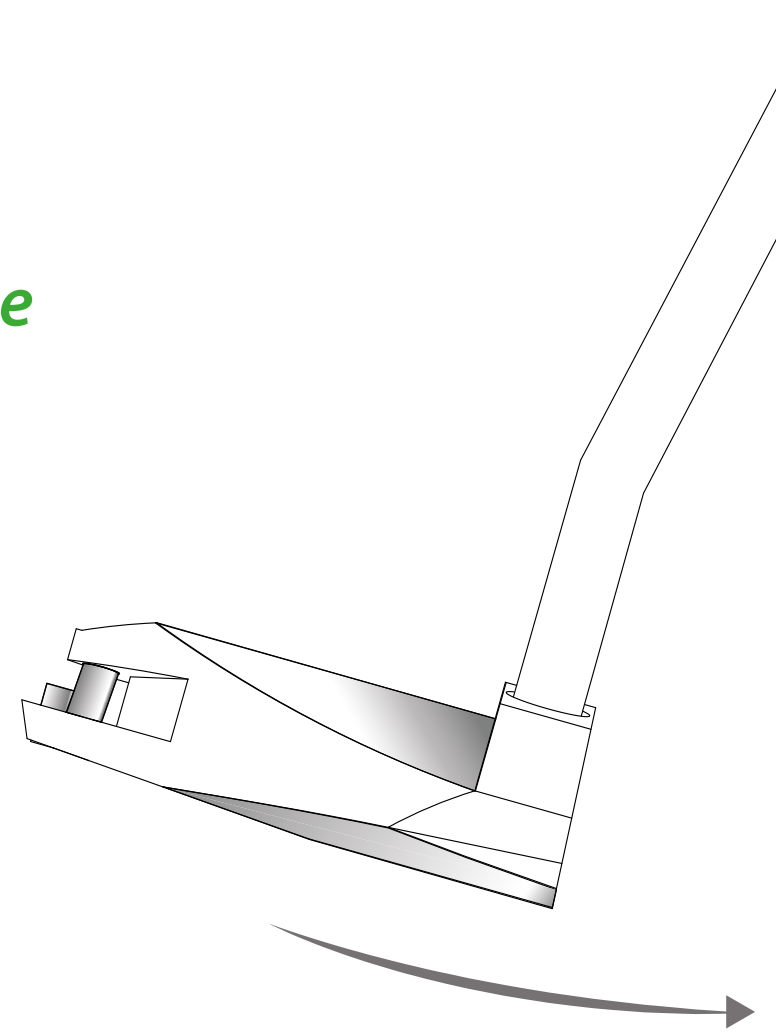


Impact diffused

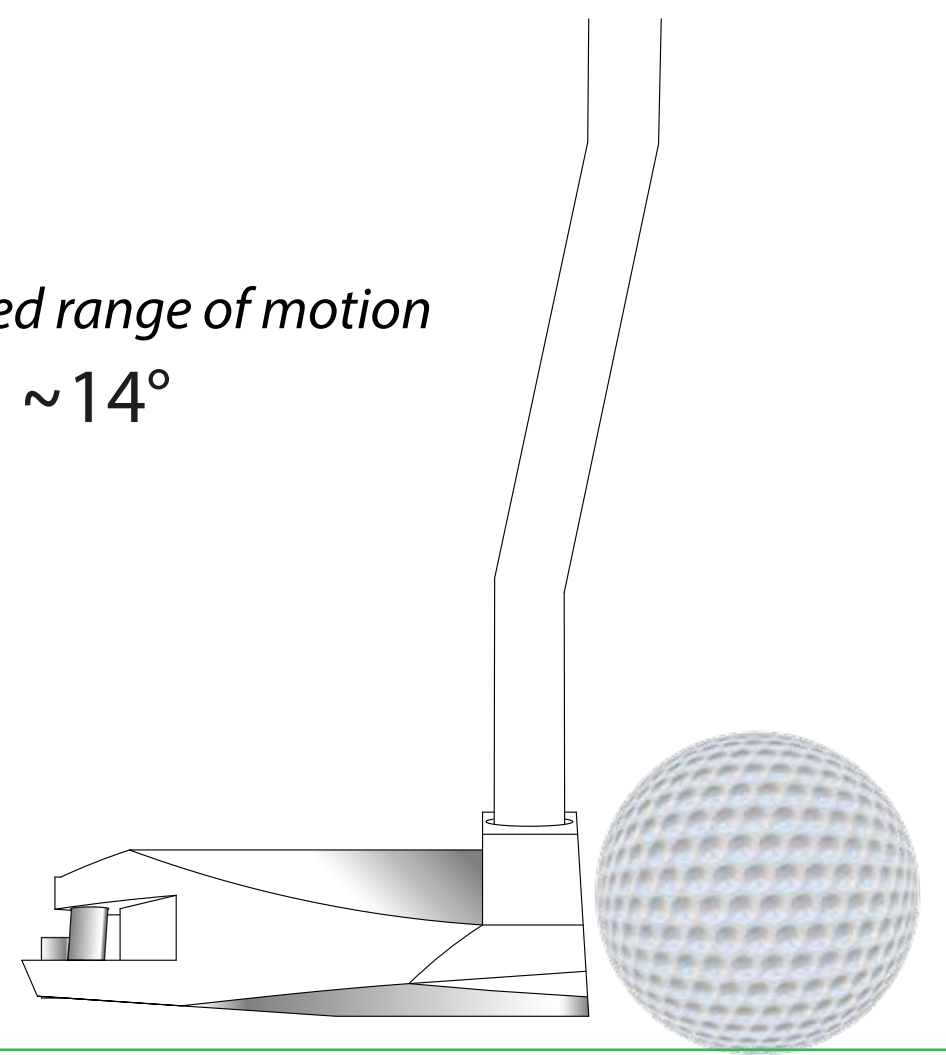


15 foot putt

Putter *ValGrine*



Decreased range of motion
 $\sim 14^\circ$



Higher precision

